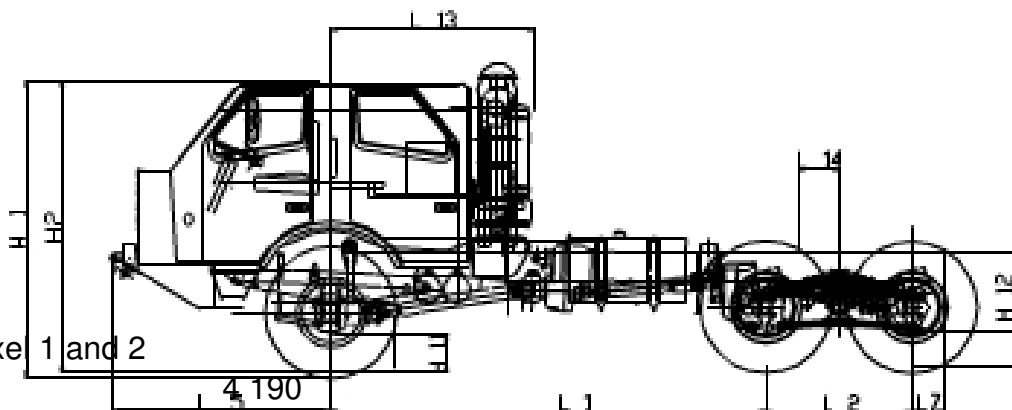


There are no translations available.



LENGTHS (mm)

L1 Wheelbase between axle 1 and 2	4 190
L2 Wheelbase between axle 2 and 3	1 370
L5 Front overhang	2 075
L7 Rear chassis overhang	300
L11 Total length	8 235
L13 Distance between front axle and superstructure	1 900

WIDTHS (mm)

B1 Cabin width	2 300
B2 Width over rear wheels	2 480
B3 Overall width	2 550

B4 Width of chassis frame front	942	
B5 Width of chassis frame rear	766	
B6 Min. turning circle diameter (m)	21,00	
HEIGHTS (mm)		
H1 Total height over cabin, unloaded	2 700	
H2 Total height over cabin, loaded	2 660	
H3 Chassis height, unloaded	1 185	
H4 Chassis height, loaded	1 145	
H11 Ground clearance, front	380	
H12 Ground clearance, rear	380	
H13 Ground clearance between axles	640	
WEIGHTS (kg)		
G1 Permissible weight on axle 1	7 500	
G2 Permissible weight on axle 2	10 000	
G3 Permissible weight on axle 3		10 000
G5 Total permissible weight	26 000	
G6 Chassis truck net weight *	11 500	
G9 Chassis truck carrying capacity		
- passengers with equipment (5)	500	
- in mass center	14 000	
*weight with driver and equipment (100kg)		

PERFORMANCES

Maximum kinematic speed (km/h)	90
Maximum climbing ability (%)	46