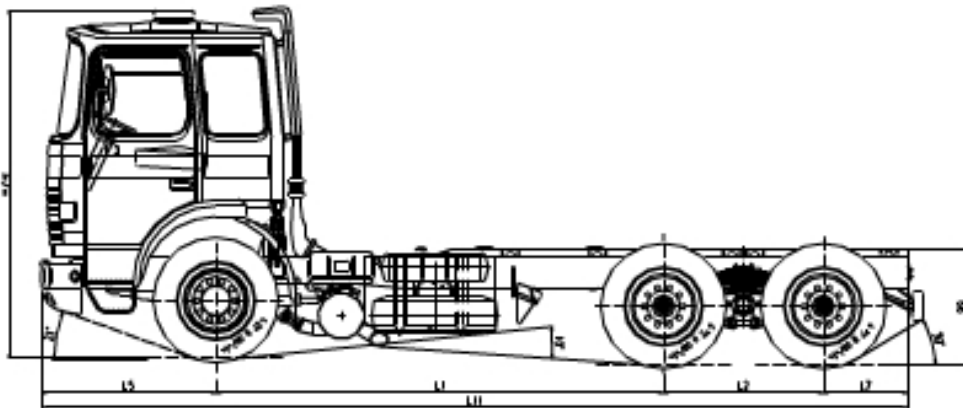


There are no translations available.



LENGTHS (mm)

L1 Wheelbase between axle 1 and 2	3 840
L2 Wheelbase between axle 2 and 3	1 370
L5 Front overhang	1 500

L7 Rear chassis overhang	725
L11 Total length	7 435
L13 Distance between front axle and superstructure	1 100
L15/L16 Distance from twin axle center to the superstructure center of gravity max / min.	300/350

WIDTHS (mm)

B1 Cabin width	2 300
B2 Width over rear wheels	2 460
B3 Overall width	2 500
B4 Width of chassis frame front	942
B5 Width of chassis frame rear	762
B6 Min. turning circle diameter (m)	16,2
B7 Min. turning clearance circle diameter (m)	17,8

HEIGHTS (mm)

H1 Total height over cabin, unloaded	3 100
H2 Total height over cabin, loaded	3 040
H3 Chassis height, unloaded	995
H4 Chassis height, loaded	950
H11 Ground clearance, front	315
H12 Ground clearance, rear	330

WEIGHTS (kg)

G1 Permissible weight on axle 1	6 500
G2 Permissible weight on axle 2	10 000

G3 Permissible weight on axle 3	10 000
G5 Total permissible weight	26 000
G7 Chassis truck weight on axle 1	4 200
G8 Chassis truck weight on rear axles	3 800
G9 Chassis truck carrying capacity	18 000

PERFORMANCES

Maximum kinematic speed (km/h)	87
Maximum climbing ability (%)	30