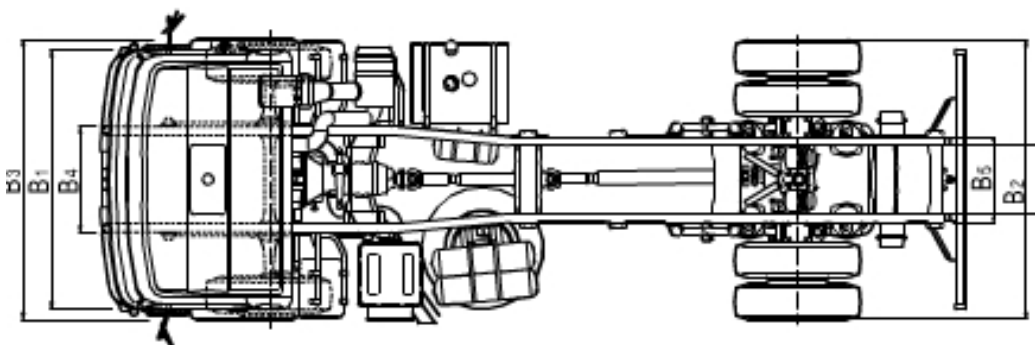
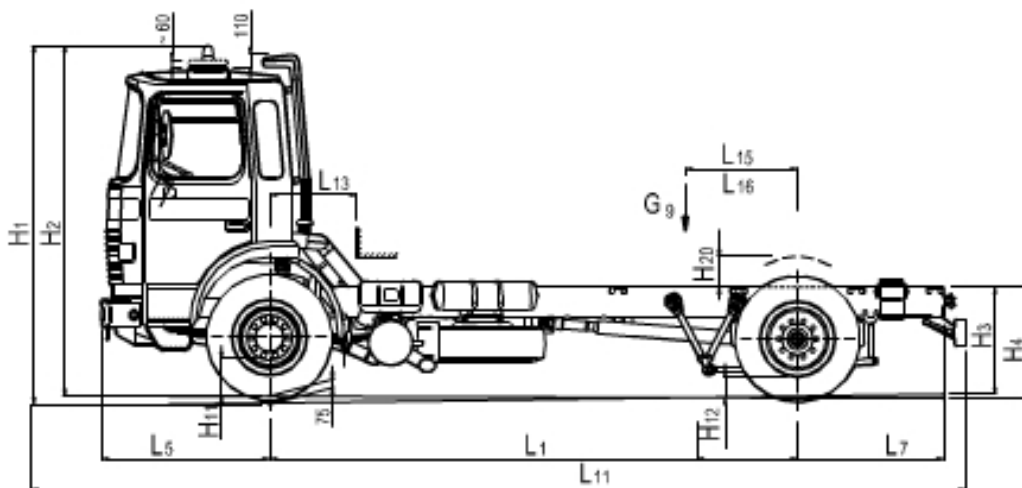


There are no translations available.



LENGTHS (mm)

L1 Wheelbase

3 700

L5 Front overhang

	1 500
L6 Rear overhang	
	1 285
L7 Rear chassis overhang	
	1 100
L11 Total length	
	6 485
L13 Distance between front axle and superstructure	
	820
L15 Distance from twin axle center to the superstructure center of gravity max / min.	
	910/790

WIDTHS (mm)

B1 Cabin width	
	2 300
B2 Width over rear wheels	
	2 462
B3 Overall width	
	2 500
B4 Width of chassis frame front	
	940
B5 Width of chassis frame rear	
	760
B6 Min. turning circle diameter (m)	
	13,80
B7 Min. turning clearance circle diameter (m)	
	15,20

HEIGHTS (mm)

H1 Total height over cabin, unloaded	
	3 210
H2 Total height over cabin, loaded	
	3 135
H3 Chassis height, unloaded	
	995
H4 Chassis height, loaded	
	960
H11 Ground clearance, front	
	285
H12 Ground clearance, rear	
	380
H20 Max. lift up of the rear wheel	
	274

WEIGHTS (kg)

G1 Permissible weight on front axle	7 000
G2 Permissible weight on rear axle	11 500
G5 Total permissible weight	18 000
G6 Chassis truck net weight	6 180
G7 Chassis truck weight on front axle	4 085
G8 Chassis truck weight on rear axles	2 095
G9 Chassis truck carrying capacity	11 820

PERFORMANCES

Maximum kinematic speed (km/h)	111
Maximum ASR limited speed (km/h)	85
Maximum climbing ability (%)	30