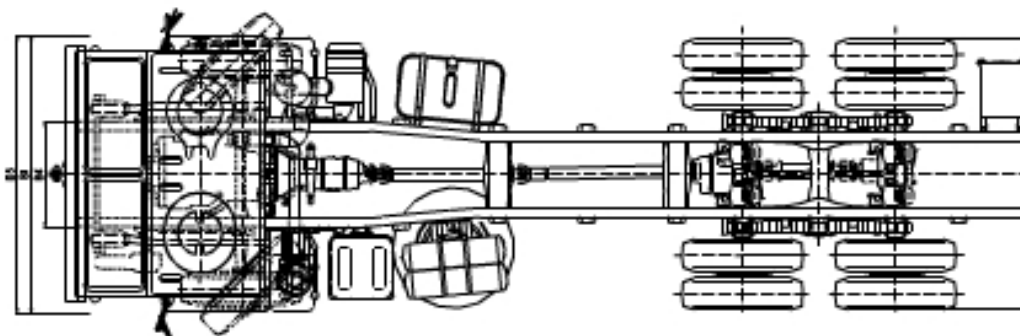
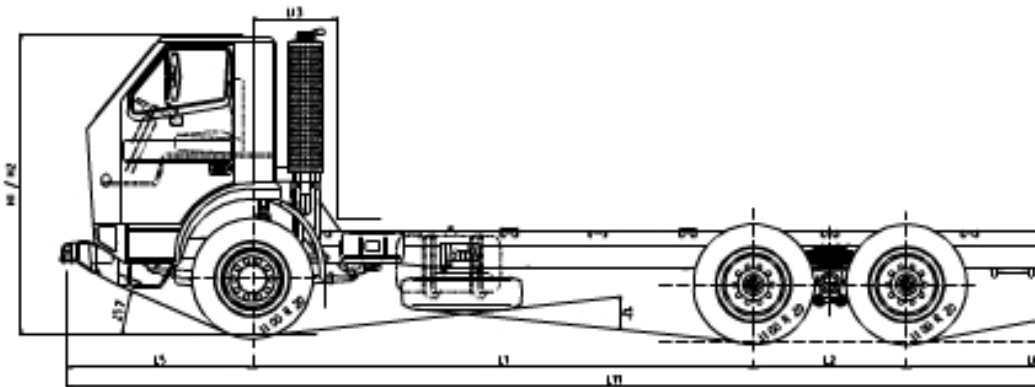


There are no translations available.



LENGTHS (mm)

L1 Wheelbase between axle 1 and 2	4 490
L2 Wheelbase between axle 2 and 3	1 370
L5 Front overhang	1 500

L6 Rear chassis overhang	2 265
L11 Total length	9 625
L13 Distance between front axle and superstructure	750
L14/L15 Distance from twin axle center to the superstructure center of gravity max / min.	550/400

WIDTHS (mm)

B1 Cabin width	2 300
B2 Width over rear wheels	2 422
B3 Overall width	2 500
B4 Width of chassis frame front	942
B5 Width of chassis frame rear	762
B6 Min. turning circle diameter (m)	17,60
B7 Min. turning clearance circle diameter (m)	19,30

HEIGHTS (mm)

H1 Total height over cabin, unloaded	2 810
H2 Total height over cabin, loaded	2 770
H3 Chassis height, unloaded	1 100
H4 Chassis height, loaded	990
H11 Ground clearance, front	300
H12 Ground clearance, rear	320

WEIGHTS (kg)

G1 Permissible weight on axle 1	6 500
---------------------------------	-------

G2 Permissible weight on axle 2	10 000	
G3 Permissible weight on axle 3	10 000	
G5 Total permissible weight	26 000	
G6 Chassis truck net weight		8 750
G7 Chassis truck weight on axle 1	4 650	
G8 Chassis truck weight on rear axles	4 100	
G9 Chassis truck carrying capacity	17 250	
G11 Gross combination weight	-	

PERFORMANCES

Maximum kinematic speed (km/h)	91
Maximum climbing ability (%)	30