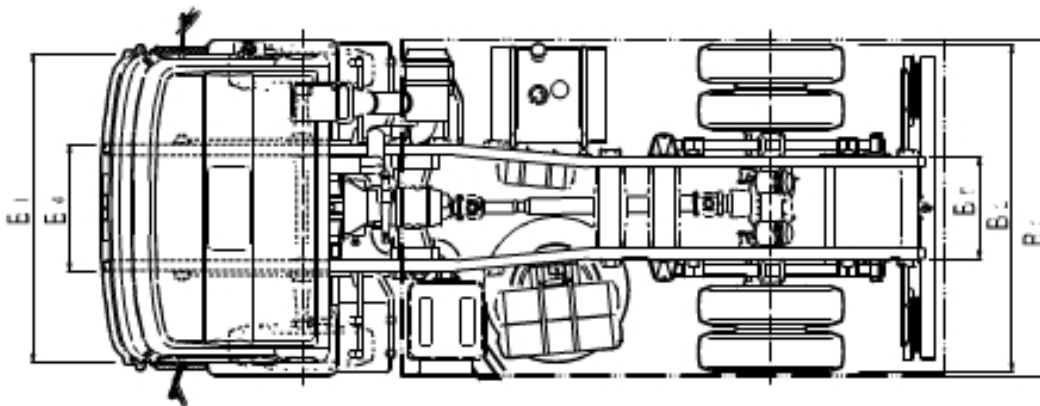
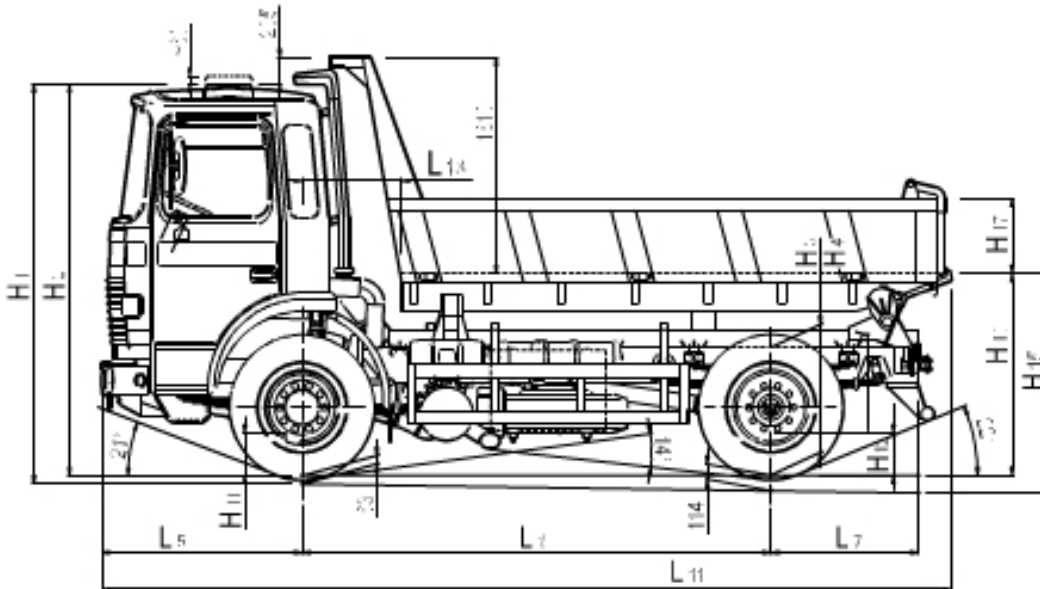


There are no translations available.



LENGTHS (mm)

L1 Wheelbase	3 500
L5 Front overhang	1 500
L6 Rear overhang	1 220
L7 Rear chassis overhang	1 100
L11 Total length	6 350
L13 Distance between front axle and superstructure	830
L14 Distance from twin axle center to the superstructure center of gravity max / min.	660/500

**WIDTHS (mm)**

B1 Cabin width	2 300
B2 Width over rear wheels	2 462
B3 Overall width	2 500
B4 Width of chassis frame front	940
B5 Width of chassis frame rear	760
B6 Min. turning circle diameter (m)	12,75
B7 Min. turning clearance circle diameter (m)	14,75

**HEIGHTS (mm)**

H1 Total height over cabin, unloaded	2 985
H2 Total height over cabin, loaded	2 910
H3 Chassis height, unloaded	1 086
H4 Chassis height, loaded	952
H11 Ground clearance, front	295
H12 Ground clearance, rear	315
H15 Min. loading height	

H16 Max. loading height	1 300
H20 Max. lift up of the rear wheel	1 434
	276

**WEIGHTS (kg)**

G1 Permissible weight on front axle	7 000
G2 Permissible weight on rear axle	11 500
G5 Total permissible weight	18 000
G6 Chassis truck net weight	7 500
G7 Chassis truck weight on front axle	4 210
G8 Chassis truck weight on rear axles	3 290
G9 Chassis truck carrying capacity	10 500
G12 Gross combination weight	-

**PERFORMANCES**

Maximum kinematic speed (km/h)	102
Maximum ASR limited speed (km/h)	85
Maximum climbing ability (%)	30