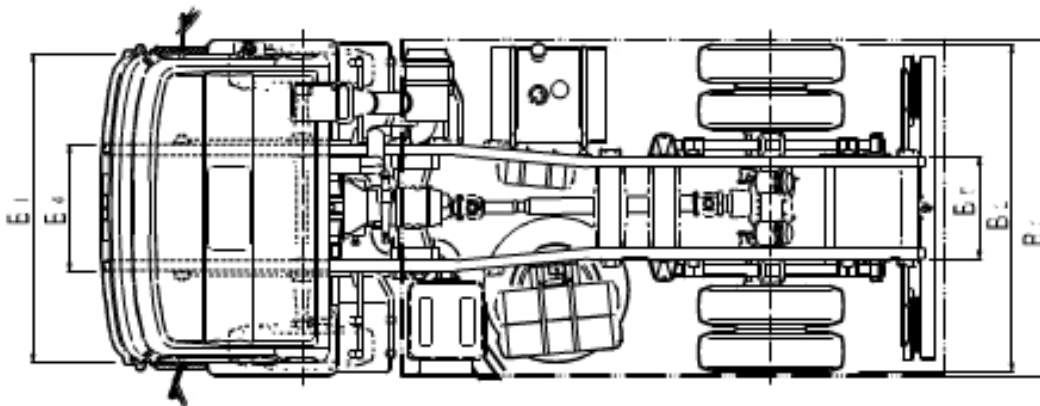
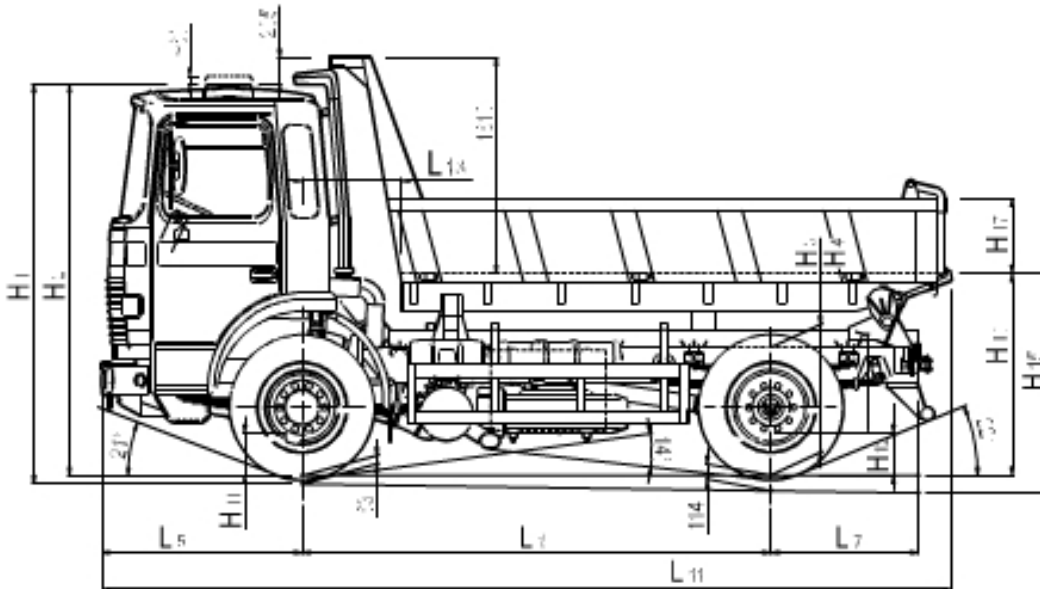


There are no translations available.



LENGTHS (mm)

L1 Wheelbase	3 500
L5 Front overhang	1 500
L6 Rear overhang	1 220
L7 Rear chassis overhang	1 100
L11 Total length	6 350
L13 Distance between front axle and superstructure	830
L14 Distance from twin axle center to the superstructure center of gravity max / min.	660/500

WIDTHS (mm)

B1 Cabin width	2 300
B2 Width over rear wheels	2 462
B3 Overall width	2 500
B4 Width of chassis frame front	940
B5 Width of chassis frame rear	760
B6 Min. turning circle diameter (m)	12,75
B7 Min. turning clearance circle diameter (m)	14,75

HEIGHTS (mm)

H1 Total height over cabin, unloaded	2 985
H2 Total height over cabin, loaded	2 910
H3 Chassis height, unloaded	1 086
H4 Chassis height, loaded	952
H11 Ground clearance, front	295
H12 Ground clearance, rear	315
H15 Min. loading height	

H16 Max. loading height	1 300
H20 Max. lift up of the rear wheel	1 434
	276

WEIGHTS (kg)

G1 Permissible weight on front axle	7 000
G2 Permissible weight on rear axle	11 500
G5 Total permissible weight	18 000
G6 Chassis truck net weight	7 900
G7 Chassis truck weight on front axle	4 600
G8 Chassis truck weight on rear axles	3 300
G9 Chassis truck carrying capacity	10 100
G12 Gross combination weight	-

PERFORMANCES

Maximum kinematic speed (km/h)	102
Maximum ASR limited speed (km/h)	85
Maximum climbing ability (%)	30