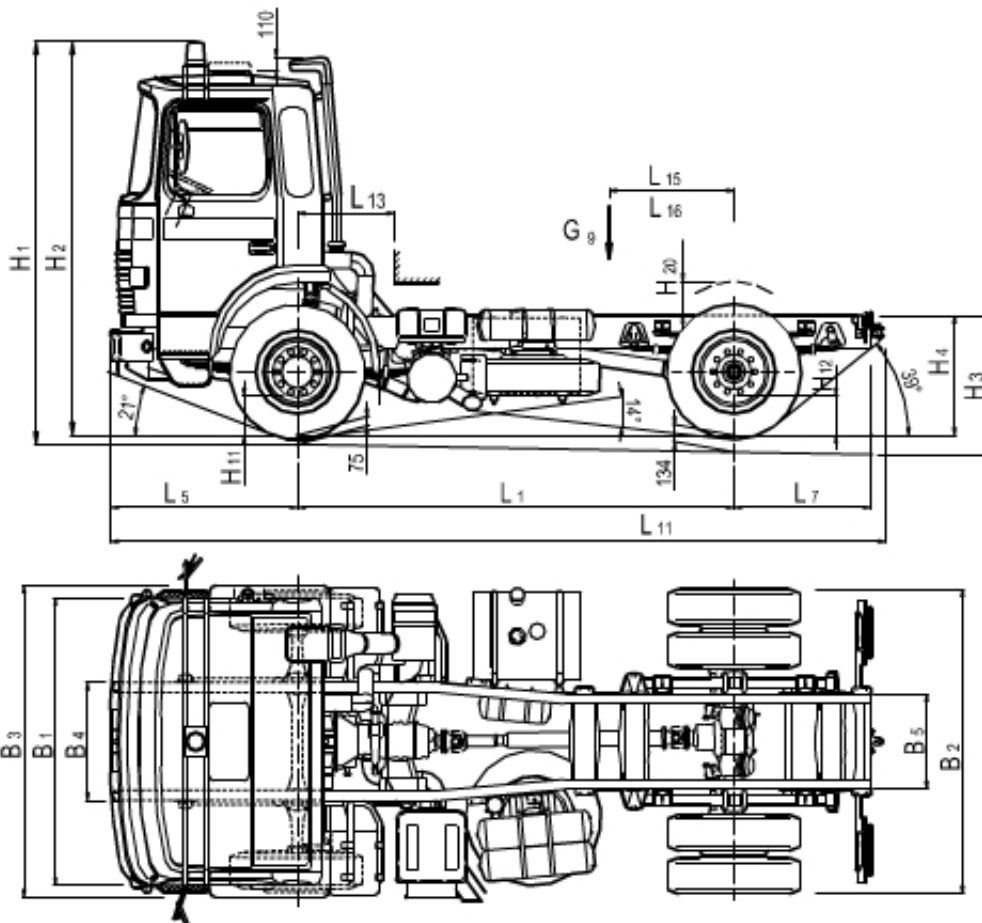


There are no translations available.



**LENGTHS (mm)**

L1 Wheelbase

3 500

L5 Front overhang	1 500
L6 Rear overhang	1 000
L7 Rear chassis overhang	900
L11 Total length	6 000
L13 Distance between front axle and superstructure	820
L14 Distance from twin axle center to the superstructure center of gravity max / min.	785/610

**WIDTHS (mm)**

B1 Cabin width	2 300
B2 Width over rear wheels	2 430
B3 Overall width	2 500
B4 Width of chassis frame front	940
B5 Width of chassis frame rear	760
B6 Min. turning circle diameter (m)	12,75
B7 Min. turning clearance circle diameter (m)	14,75

**HEIGHTS (mm)**

H1 Total height over cabin, unloaded	3 215
H2 Total height over cabin, loaded	3 140
H3 Chassis height, unloaded	1 086
H4 Chassis height, loaded	952
H11 Ground clearance, front	295
H12 Ground clearance, rear	315
H20 Max. lift up of the rear wheel	276

**WEIGHTS (kg)**

G1 Permissible weight on front axle	6 500
G2 Permissible weight on rear axle	10 000
G5 Total permissible weight	16 000
G6 Chassis truck net weight	6 360
G7 Chassis truck weight on front axle	4 255
G8 Chassis truck weight on rear axles	2 105
G9 Chassis truck carrying capacity	9 640
G12 Gross combination weight	-

### **PERFORMANCES**

Maximum kinematic speed (km/h)	108
Maximum ASR limited speed (km/h)	85
Maximum climbing ability (%)	30